

CASSETTE HEATER UNIT-23 INSTALLATION PROCEDURE

Follow the instructions herein when installing the heater to the paper deck.

1	Unpacking
---	-----------

Open the cardboard box containing the heater, and check to make sure that none of the items shown in Fig. 1-1 is missing.

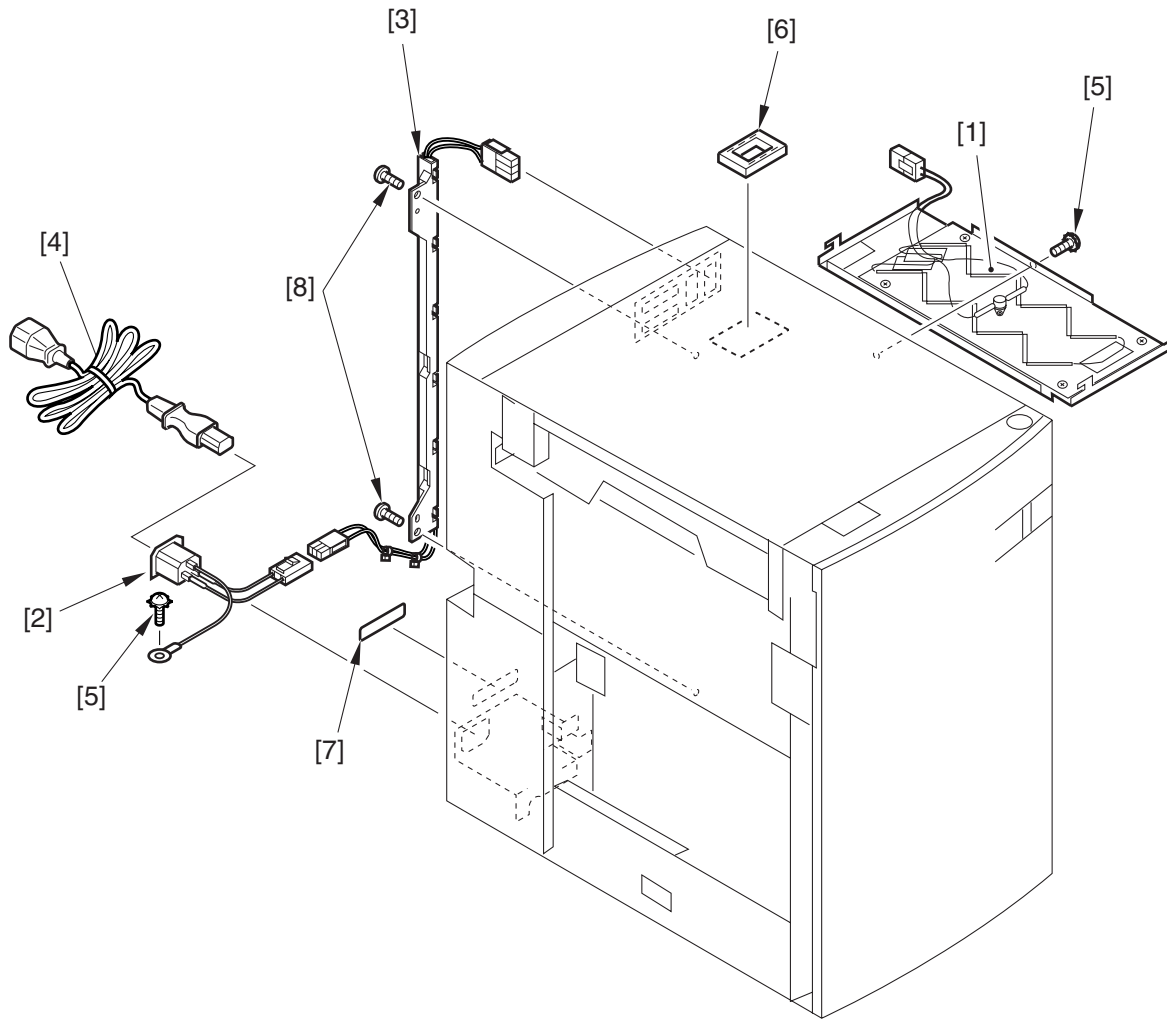


Fig. 1-1

- | | | | |
|------------------------------|------|---------------------------------|-------|
| [1] Heater unit | 1pc. | [5] Screw (w/ washer) | 2pcs. |
| [2] AC input connector | 1pc. | [6] Cable protection bush | 1pc. |
| [3] Relay harness unit | 1pc. | [7] Power supply label | 1pc. |
| [4] AC cable | 1pc. | [8] RS tight screw (M4x8) | 2pcs. |

2 | Installing to the Paper Deck

Be sure to observe the following when installing the heater to the paper deck:

- a. Check to make sure that the copier's power plug is disconnected.
- b. Check to make sure that the copier and the paper deck have been installed properly.
- c. Take care to identify the types of screws (length, diameter) and location.

Installation

- 1) Disconnect the connector of the paper deck from the copier.

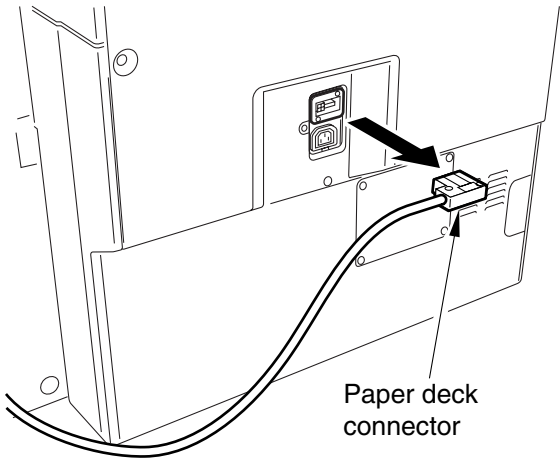


Fig. 2-1

- 2) Detach the paper deck from the copier; then, push down the latch plate of the compartment of the paper deck to open the compartment.

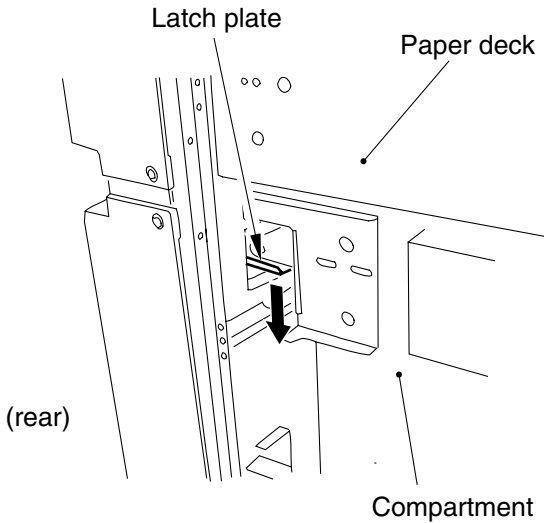


Fig. 2-2

- 3) Remove the three screws, and move the right cover of the paper deck in the direction of the arrow to remove.

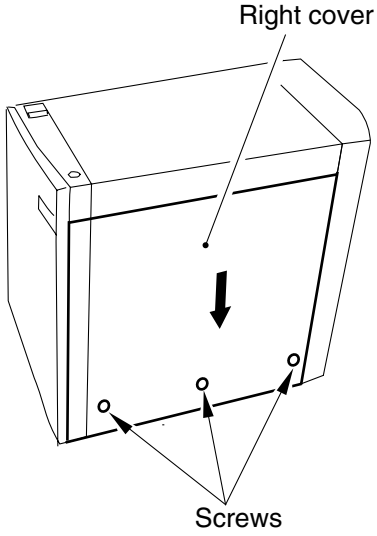


Fig. 2-3

- 4) Remove the four screws [A] and two screws [B]; then, and remove the rear cover of the paper deck.

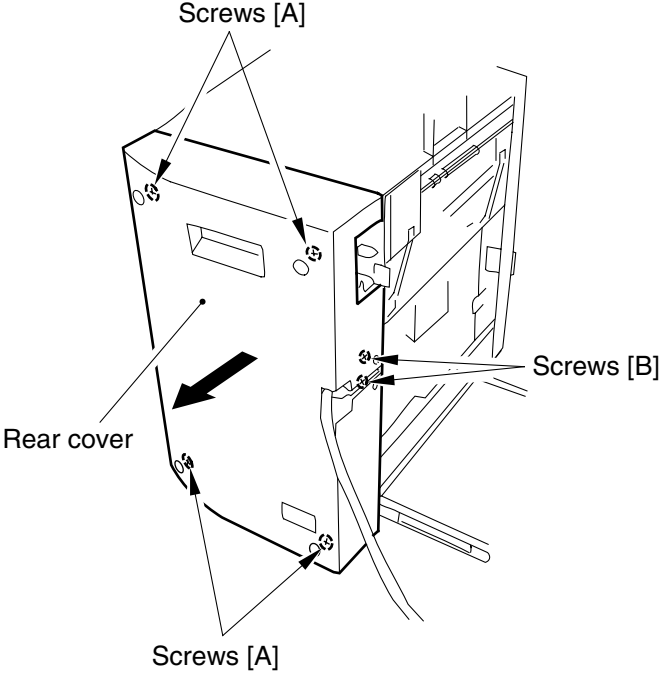


Fig. 2-4

- Remove the three screws, and disconnect the connector; then, remove the upper front cover.

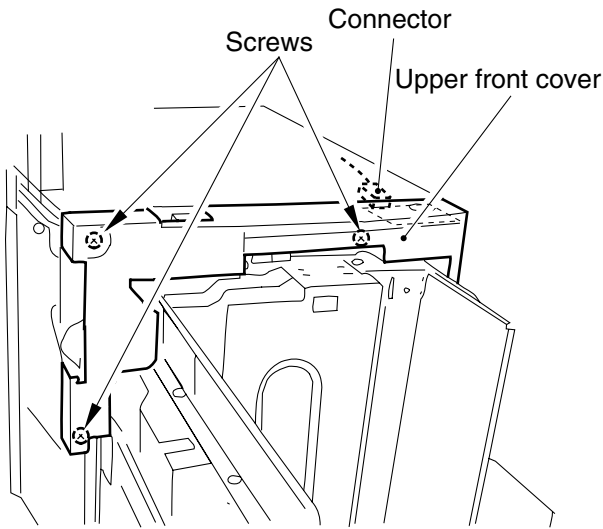


Fig. 2-5

- Remove the two screws, and remove the upper cover.

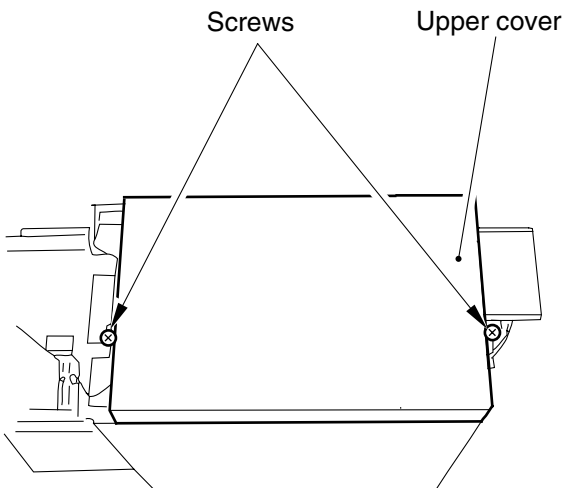


Fig. 2-6

- Install the cable protection bush that comes with the heater to the opening in the paper deck top plate.

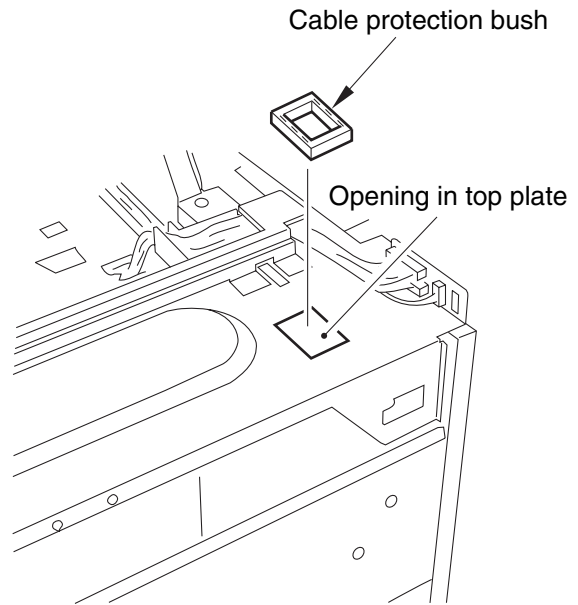


Fig. 2-7

- Put the heater unit under the paper deck top plate, and lead out the connector through the opening in the top plate.
- Engage the two hooks on the heater unit on the top plate of the paper deck, and fix it in place to the paper deck with a screw (w/ washer).

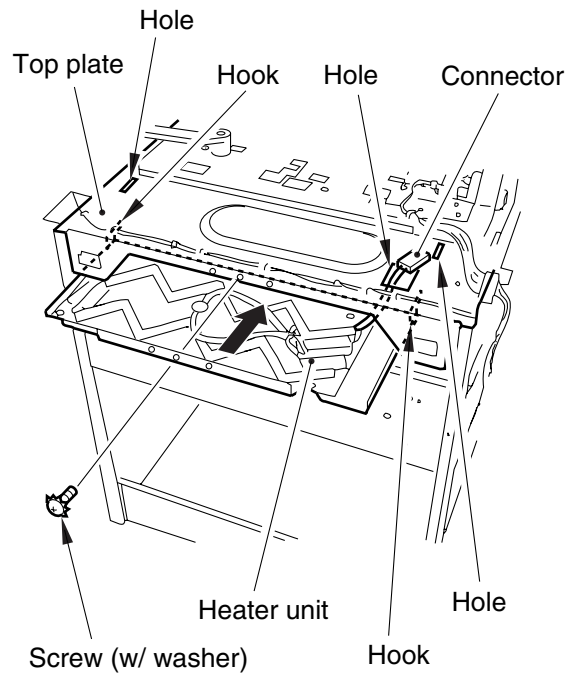


Fig. 2-8

10) Set the heater connector on the panel mount.

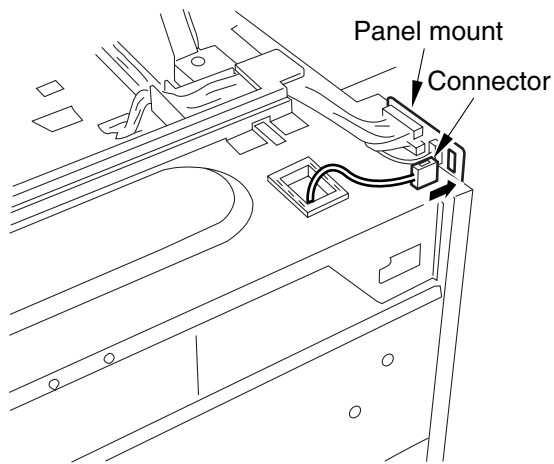


Fig. 2-9

1) Remove the one screws, and remove the cover from power supply cord mount.

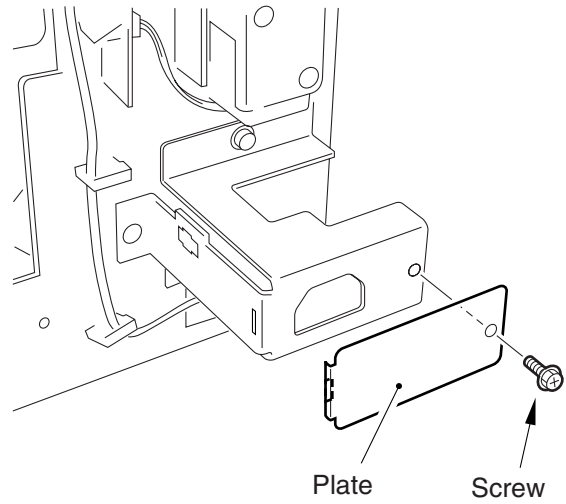


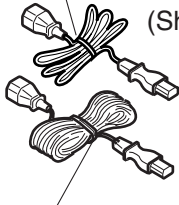
Fig. 3-1

3	Installing to the copier
---	--------------------------

Caution :

As many as two AC cables come with the product ; use the appropriate one as follows, putting away the other one :

White tie-wrap : For GP600 series
; iR600; iR5000/6000 series
(Shorter cable)



Black tie-wrap : For CLC 1100 series
(Longer cable)

2) Attach the AC input connector to power supply cord mount.

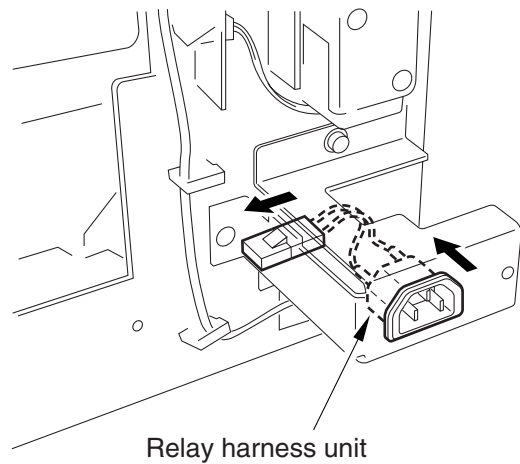
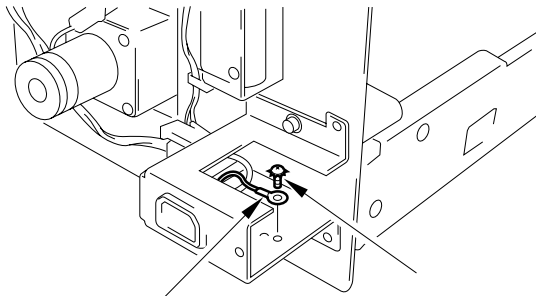


Fig. 3-2

3) Fix the ground wire with a screw (w/washer).



Ground wire RS tightening screw (w/washer)

Fig. 3-3

- 4) Mount the relay harness unit to the rear side plate of the paper deck with two screws.
- 5) Put the lock of the tie-wrap on the relay harness into the hole of the rear side plate as shown to fix the relay harness in place.
- 6) Connect the connectors on both ends of the relay harness unit to the heater connector and the AC power supply connector.

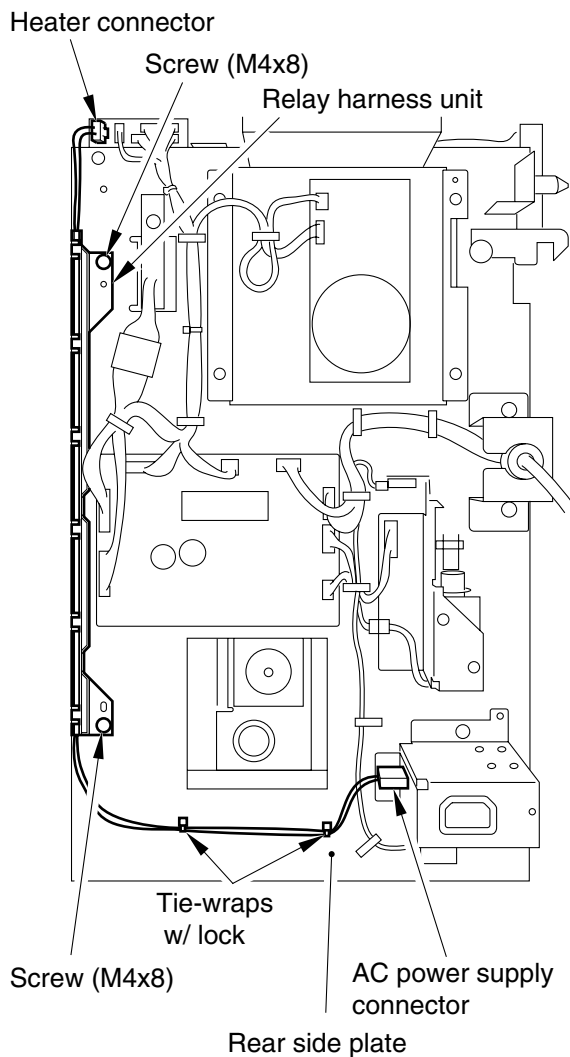


Fig. 3-4

7) Install the external covers of the paper deck in order:

- [1]Upper cover* (M4x8; 2 pc.)
- [2]Upper front cover** (M4x8; 3 pc.)
- [3]Rear cover (M3x8; 2 pc.; M4x8; 4 pc.)
- [4]Right cover (M4x8; 3 pc.)

* Avoid trapping wire.

** Connect the connector.

- 8) Slide the paper deck to the left to set it to the copier.
- 9) Connect the connector of the paper deck to the back of the copier.

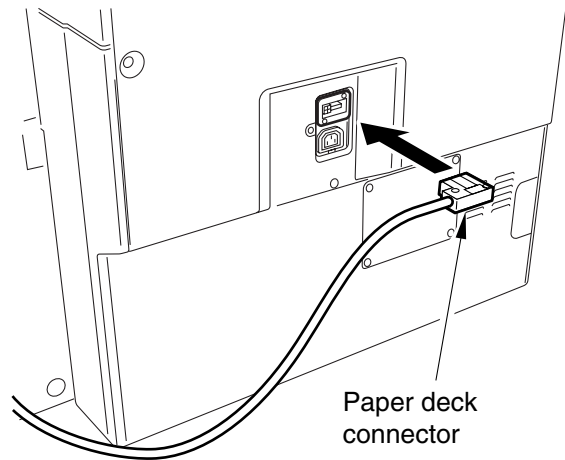


Fig. 3-5

10) Attach the power supply label to the rear cover of the paper deck as indicated in Fig. 3-6A.

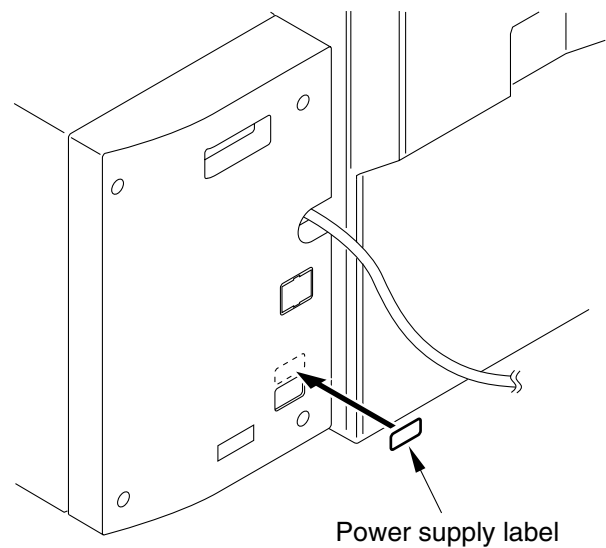


Fig. 3-6

- 11) Connect the AC cable to the power supply cord mount of the heater, and connect its power plug to the back of the copier.

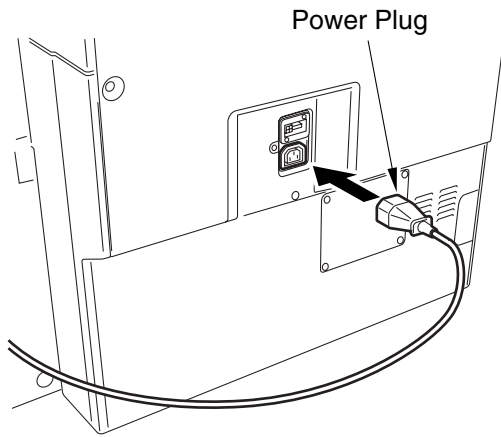


Fig. 3-7

Caution:

Advise the user not to place any object where indicated (shaded) in Fig. 3-8A when connecting the power plug of the heater so that the paper deck may be opened and closed normally.

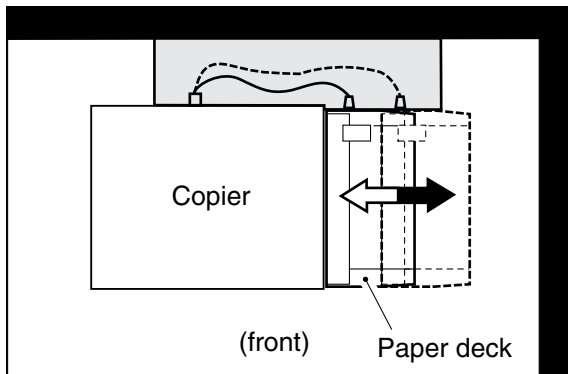


Fig. 3-8